

Instructions for fitting the types of blinds sold on this site

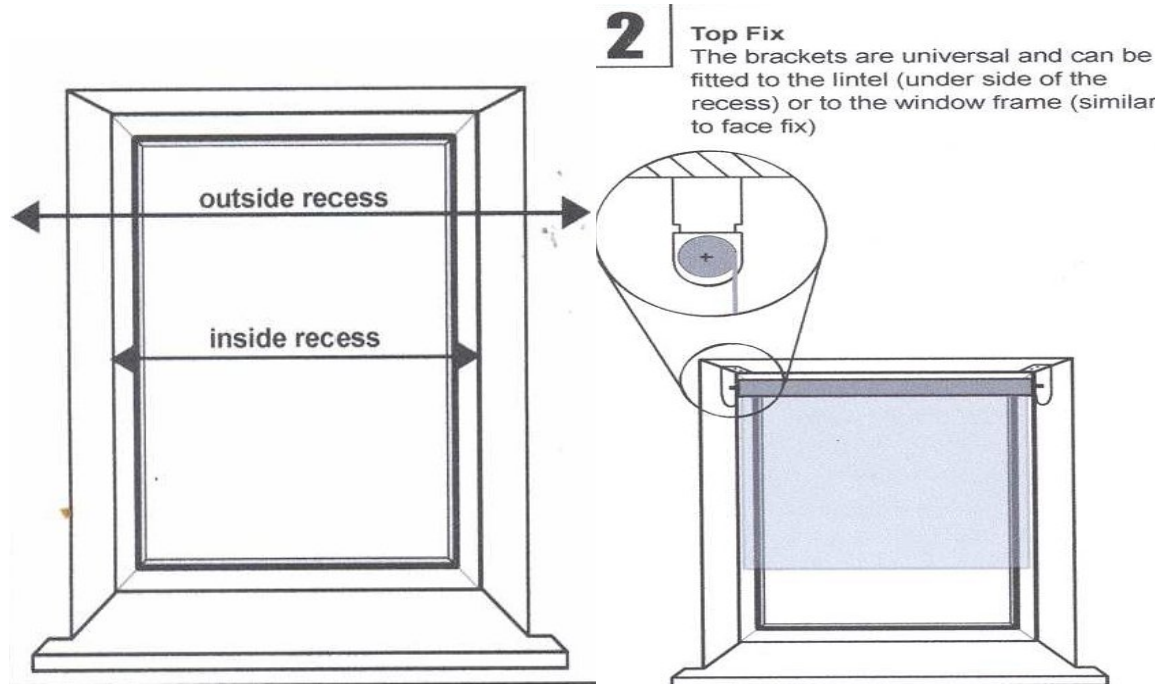
# Roller Blinds Fitting Instructions

Blind Type 1 Amo System

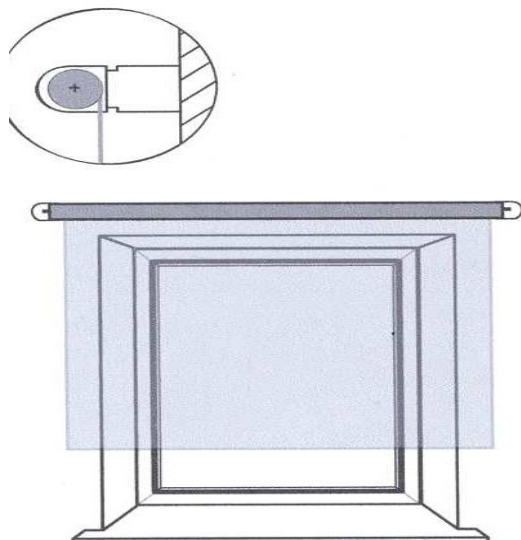
The Brackets can be top fixed, face fixed or side fixed.

**Please note if you have chosen to side fix the covers should not be used.**

During the order process you should have decided where to fit your blinds.



**3** **Face Fix**  
The brackets are universal and can be fitted to the the wall face recess)



## Tools Suggested

- screwdriver
- drill (5mm)
- pencil
- tape measure
- spirit level

4. Slide the plastic cover on to the metal brackets.



5. Ensure that your blind will clear any obstructions such as handles or any protruding parts.

6. Always fit the side first that is opposite to the control side. If you have chosen the control on the Right hand side then fit the left hand Bracket First.

7. Mark the position of the first bracket,

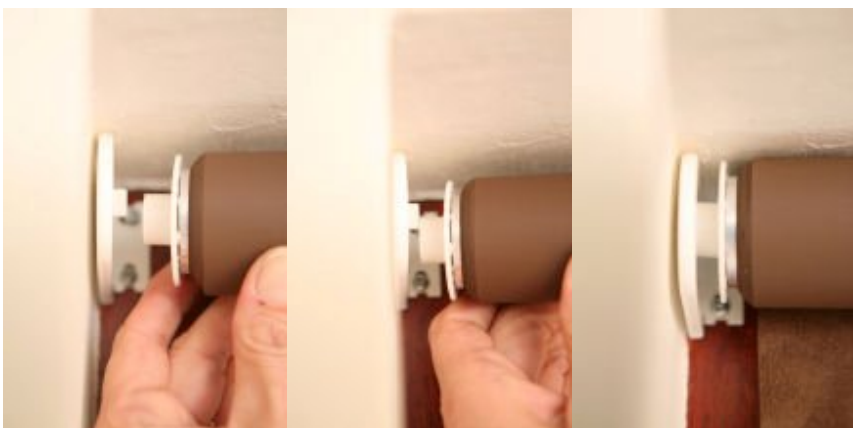
8. Drill holes and Fit the bracket complete with cover. Use 2 screws to secure the bracket firmly into place.



9. Insert the plunger end of the roller blind into this first bracket.

10. Push the Roller into this bracket slightly, to just depress the plunger and then mark the other side where the second bracket will go. The blind should have a 2mm gap between the roller and the bracket, to allow it to turn.

11. Once you have marked where the bracket should go, again drill the holes and secure bracket in place as you did with the first one. Insure that the levels of each of these brackets are level; otherwise your roller blind will not roll up straight.



12. Now insert the roller tube into the brackets. First put in the plunger end and again push it slightly to depress the plunger enough so that you are able to insert the sidewinder/ control end. When inserting the control side you will see that the end of the blind has a star- shaped hole, which makes it possible to mount the blind in different positions.

**NB Make sure the chain/ endless cord hangs straight downwards.**



13. Your roller blind may have stops on it to save it being over-pulled. These can be taken off and put into the desired position.



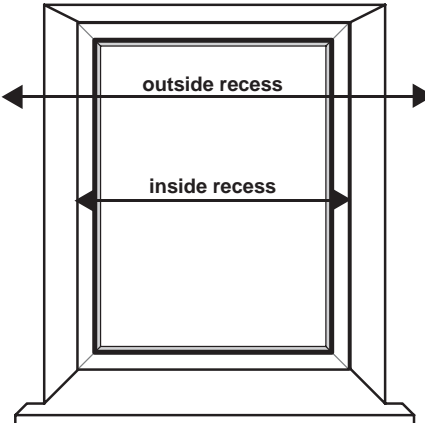
# How to fit roller blinds Blind Type 2

Louvoilte System

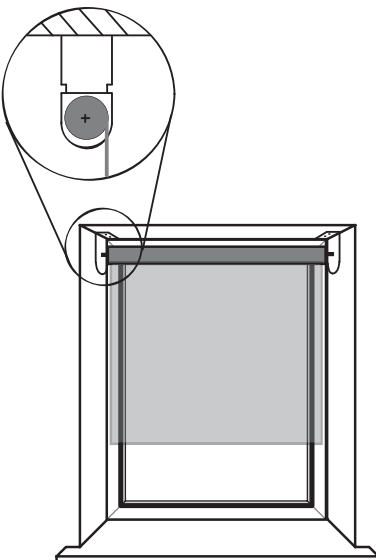
**1** During the ordering process, you will have selected either 'inside recess' or 'outside recess' measurement's.

**outside recess** - follow face fix instructions

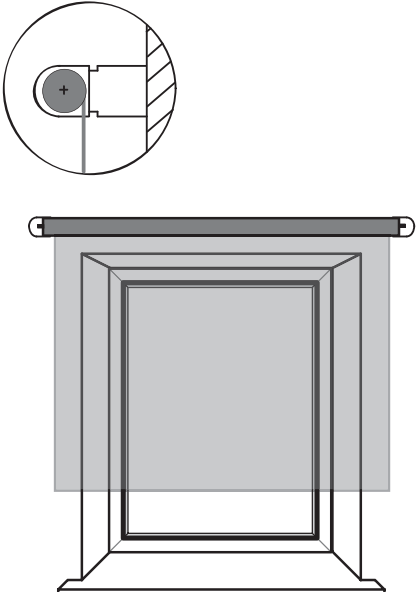
**inside recess** - follow top fix instructions



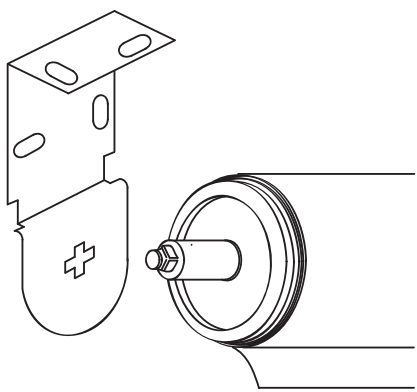
**2 Top Fix**  
The brackets are universal and can be fitted to the lintel (under side of the recess) or to the window frame (similar to face fix)



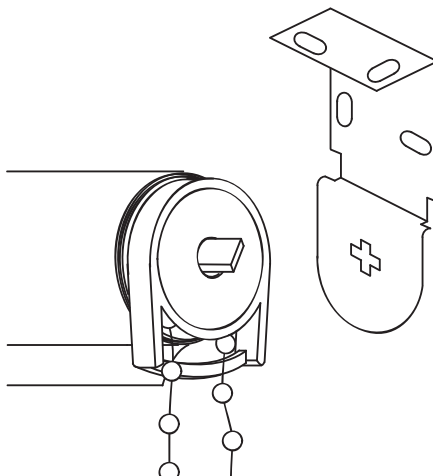
**3 Face Fix**  
The brackets are universal and can be fitted to the the wall face recess)



**4** Either end of the roller blind is different. One end is spring loaded as shown below. When the brackets have been installed, push the spring loaded end into the hole (in the shape of '+') and then do the same with the other end to complete fitment of your roller blind.

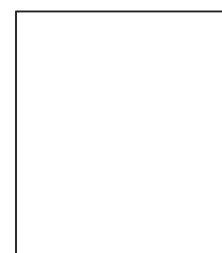
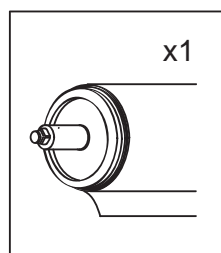
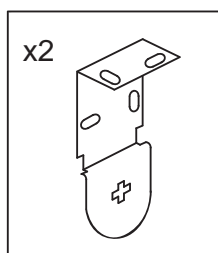
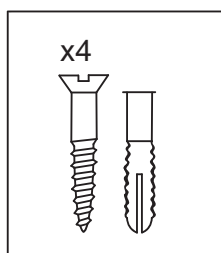


**5** The control end has a flat '-' shape that can fit into the plus '+' shape on the bracket. It can be fitted horizontally or vertically.



**6**

## In the box



## Tools Suggested

- screwdriver
- drill (5mm)
- pencil
- tape measure
- spirit level

The brackets can be used for face fixing or top fixing.

Face Fitting:

Mark the holes.  
It is recommended to use the top and bottom holes.  
Use wall plugs where appropriate.



Screw the brackets up. Please note that there sideways adjustment of the bracket before completely tightening.  
Once both brackets are fixed, the blind is ready to be fitted.  
The roller blind will have two different end types. A spring end and a control end/ friction end.

**Additional Information:**

**Always locate the spring pin-end into its bracket BEFORE inserting control/ friction unit.**

Use the spring pin-end compression to allow the control end to be pivoted into position in line with the opposite bracket.  
Locate the control end lugs into the slots on the bracket, pull downwards, feeling the lock on the shroud click into place.

Recess Fitting:

Mark the holes  
It is recommended to use top and bottom holes.



Insert two screws and tighten. Using the front and back slots allows for sideways adjustment of the of the bracket before completely tightening.

**Additional Information:**

Once the brackets are fitted the blind is ready to installed.

**Always locate the spring pin-end into its bracket BEFORE inserting control/ friction unit.**

Use the spring pin-end compression to allow the control end to be pivoted into position in line with the opposite bracket.  
Locate the control end lugs into the slots on the bracket, pull downwards, feeling the lock on the shroud click into place.

## Fitting Cord Safety Guide Type 1



**Step 1 -** Hold the Tension Device upright. Position the chain in the Device. Do not twist or cross the chain.



**Step 2 -** Position the Tension Device on the wall or window frame and mark the hole for drilling. The tension on your chain needs to be taut enough to prevent a child from wrapping it around his/her head. It needs to be slightly loose to enable the chain to run smoothly through the device.



**Step 3 -** Mark out the hole. If fixing to wall, drill the hold to the depth of the screw provided using a 5.5mm drill bit and place wall plug into hole.



**Step 4 -** If fixing to wall, drill the hold to the depth of the screw provided using a 5.5mm drill bit and place wall plug into hole.



**Step 4 -** Holding the tension device upright and in position, as shown, insert and secure the screw through the hole. The screw must be secured into a solid surface.